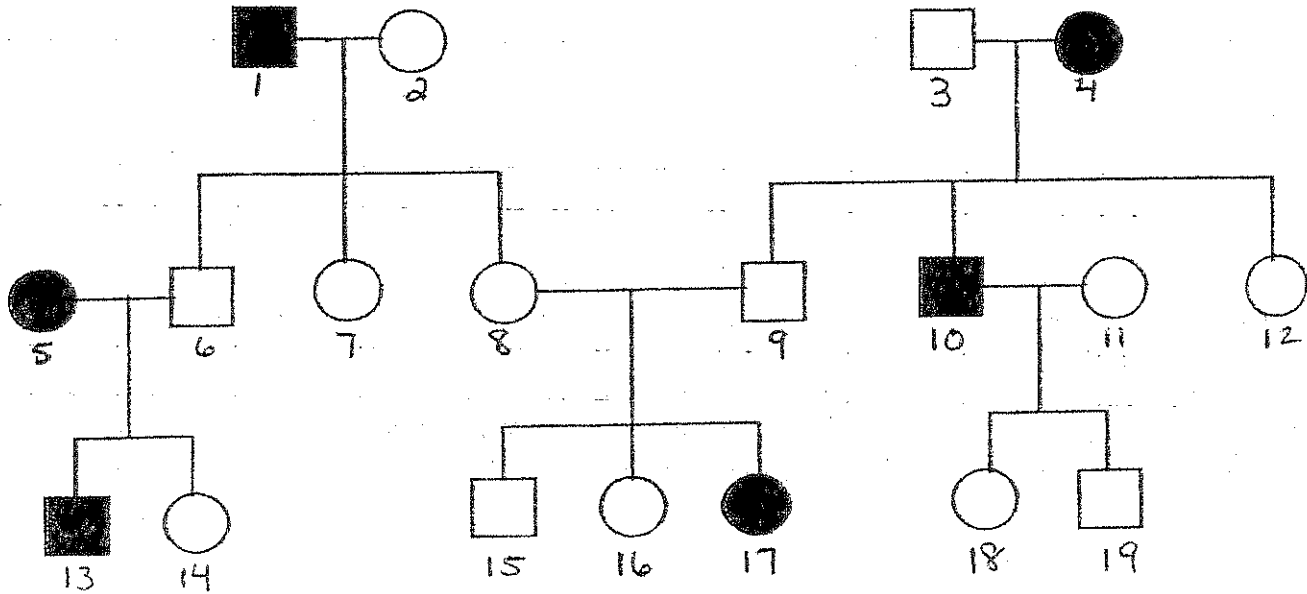


PEDIGREES

The pedigree below shows the pattern of inheritance through a specific family. The trait being shown is earlobe shape. Free earlobes (E) is dominant over attached earlobes (e). Shaded individuals have attached earlobes (ee).



Pretend that the pedigree is for your family, and you are individual #16. List the relationships of the following people to you. Be sure to indicate their gender in your answer.

- | | |
|-------------------------|-------------------------|
| 1. Individual #15 _____ | 4. Individual #9 _____ |
| 2. Individual #7 _____ | 5. Individual #11 _____ |
| 3. Individual #19 _____ | 6. Individual #4 _____ |

List the genotypes of the following people. Start by writing the genotypes onto the pedigree, then fill in the blanks below.

- | | |
|-------------------------|--------------------------|
| 7. Individual #16 _____ | 10. Individual #9 _____ |
| 8. Individual #17 _____ | 11. Individual #19 _____ |
| 9. Individual #3 _____ | 12. Individual #11 _____ |